



SPRAY-GUN WASHERS AND BODY-SHOP EQUIPMENT

2019

ENGLISH





Rosauto is the European leader in manufacturing and selling spray-gun washing machines.




The company was founded in 1979 thanks to the ideas of the two brothers Giuseppe and Antonio Rosa; it grown through the years thanks to the continuous innovations and new products.

Today Rosauto manufactures a wide range of spray-gun washers, paper and can presses, parts washers and other products for body-shops and also for mechanics and industries.

The company core business is the continuous innovation and new solutions study, with flexibility and big attention to the quality in mind.

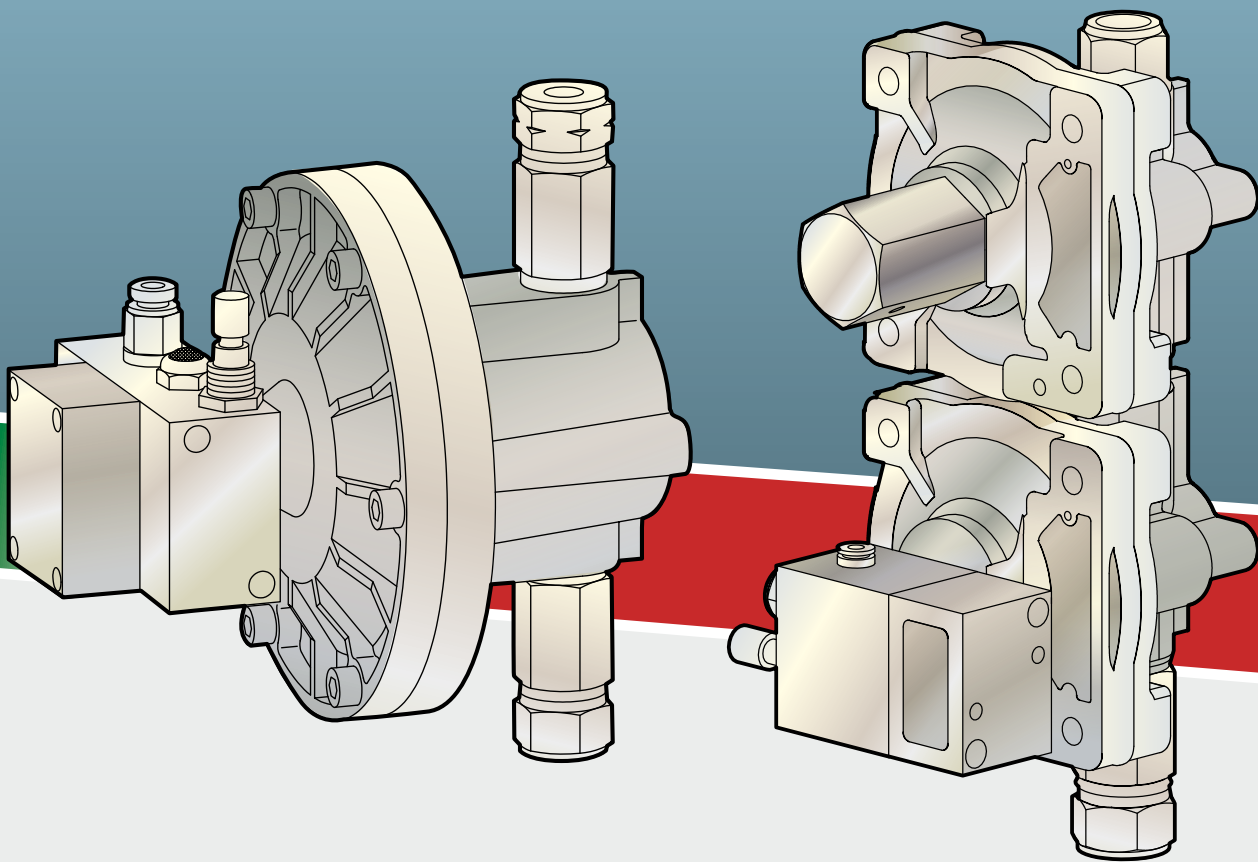
Rosauto is well known worldwide for the equipment robustness and reliability.



KIT OPTIONAL	pag. 5
SPRAY-GUN WASHERS FOR WATERBORNE PAINT	
Mod. P11	pag. 6
Mod. P20 M	pag. 7
Mod. P30	pag. 8
SPRAY-GUN WASHERS COMBINED (WATER + THINNER)	
Mod. 135	pag. 9
Mod. L10	pag. 10
Mod. L20 M	pag. 11
Mod. G40 M	pag. 12
Mod. G60 F	pag. 13
SPRAY-GUN WASHERS FOR SOLVENT-BASED PAINT	
Mod. P10	pag. 14
Mod. M10	pag. 15
Mod. 173A - 173D	pag. 16
Mod. M30 - M30 F	pag. 17
Mod. 801A - 801B	pag. 18
EQUIPMENT AND CONSUMABLE	
Mod. 250AX - 250BX	pag. 19
Mod. 255	pag. 20
Mod. 206	pag. 21
Mod. 201	pag. 22
Mod. 174B	pag. 23
Mod. 970	pag. 24
Mod. 110	pag. 25
Mod. 189	pag. 26
REMOVER - FLOCK	pag. 27
WATER	
THINNER	
DETERGENTE REMOVER	

DIAPHRAGM PUMP ROSAUTO

THE HEART OF OUR SPRAY-GUN WASHERS

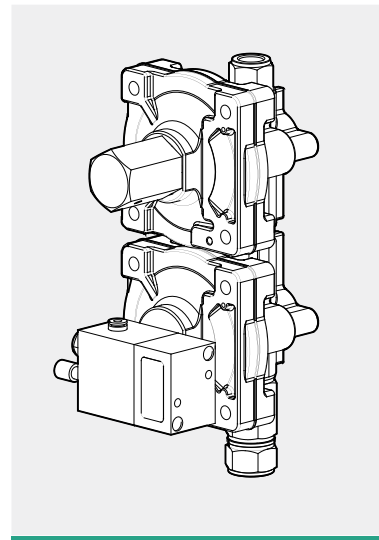


Reliability since over 30 years

CE ϵ_x II 2G

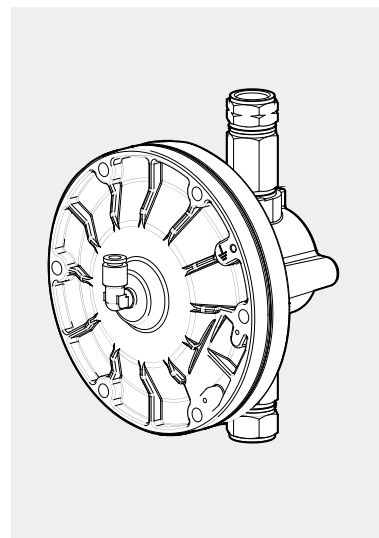
KIT M OPTIONEEL

- Kit made up of diaphragm MP pump, flowing-brush and hoses
- For washing with brush fed recirculating liquid
- Set up in factory and before unit delivery only



KIT F OPTIONEEL

- Kit made up of diaphragm PA pump, push-button and hoses
- For final wash with clean thinner
- Set up in factory and before unit delivery only



MOD. P11

MANUAL SPRAY-GUN WASHER WITH WATER



- Manual wash of waterborne paint
- Perfect for disposable cup system
- Venturi pump for washing with recirculating liquid
- Nebulizer for clean water final rinse
- Air gun for final drying
- Water / paint separation kit **not included**
- 100% Stainless steel
- ATEX II 2G

TECHNICAL DATA

Dimensions
490 x 690 x 1490 mm

Weight
38 Kg

Operation
pneumatic

Air pressure
Min 6 - max 10 Bar



OPTIONAL: KIT M

Tanks not included

MOD. P20 M

MANUAL SPRAY-GUN WASHER WITH WATER



- Manual wash of waterborne paint
- Pre-wash with brush and pump fed recirculating liquid
- Nebulizer for clean water final rinse
- Air gun for final drying
- Water / paint separation kit **included**
- 100% Stainless steel
- ATEX II 2G

TECHNICAL DATA

Dimensions
490 x 690 x 1490 mm

Weight
50 Kg

Steel tank capacity for water
50 L

Operation
pneumatic

Air pressure
Min 6 - max 10 Bar



MOD. P30

AUTOMATIC SPRAY-GUN WASHER WITH WATER



- Manual and automatic wash of waterborne paint
- Automatic wash with recirculating liquid fed by diaphragm pump
- Final rinse with clean water fed by Venturi pump and nebulizer
- Air gun for final drying
- Water / paint separation kit **included**
- 100% Stainless steel
- ATEX II 2G

TECHNICAL DATA

Dimensions
490 x 690 x 1490 mm

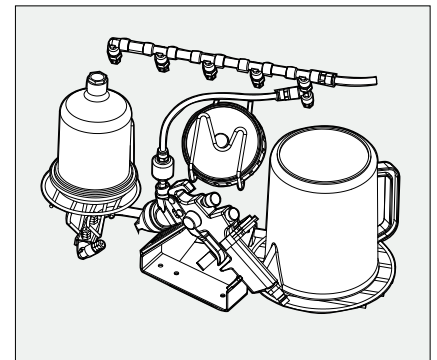
Weight
55 Kg

Steel tank capacity for water
50 L

Number of spray-guns per
washing cycle
1

Operation
pneumatic

Air pressure
Min 6 - max 10 Bar



MOD. 135 - SPEEDY CLEAN

**COMBINED SPRAY-GUN WASHER, MANUAL
WITH WATER AND SOLVENT**



- Very compact unit; only 45 x 31 x 83h cm
- 4 tanks of 5 litres each
- One pump with dirty fluid for both zones (pre-wash)
- One nebulizer with clean fluid for both zones (final rinse)
- Brush for manual washing
- Works with water plus detergent and thinner
- Washes whole spray-guns, spraying nozzles, paint cup, mixing stirrers, paint filters, etc...
- Produces very few gases
- Aspiration system built-in
- Air gun for drying
- Can be used inside or outside the spray booth
- 100% stainless steel

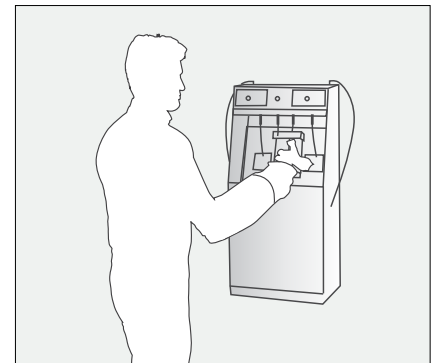
TECHNICAL DATA

Dimensions
450 x 310 x 830 mm

Weight
10 Kg

Operation
pneumatic

Air pressure
Min 6 - max 10 Bar



MOD. L10

COMBINED SPRAY-GUN WASHER, MANUAL WITH WATER AND SOLVENT



- Combi unit for manual wash of waterborne and solvent-based paint
- Automatic vapour exhaustion from work area

WATER ZONE

- Venturi pump for washing with recirculating liquid
- Nebulizer for clean water final rinse
- Air gun for final drying
- Water / paint separation kit **not included**

SOLVENT ZONE

- Pre-wash with Venturi pump fed recirculating thinner
 - Venturi pump feeding clean thinner
 - Nebulizer for final rinse with clean thinner
- Color tests allowed
 - 100% Stainless steel
 - ATEX II 2G

TECHNICAL DATA

Dimensions
990 x 690 x 1490 mm

Weight
72 Kg

Steel tank capacity for water
50 L

Exhaust duct diameter
150 mm

Operation
pneumatic

Air pressure
Min 6 - max 10 Bar



OPTIONAL: KIT M (for thinner)

OPTIONAL: KIT M (for water)

Tanks not included

MOD. L20 M

COMBINED SPRAY-GUN WASHER, MANUAL WITH WATER AND SOLVENT



- Combi unit for manual wash of waterborne and solvent-based paint
- Automatic vapour exhaustion from work area

WATER ZONE

- Pre-wash with brush and pump fed recirculating liquid
- Nebulizer for final rinse with clean water
- Air gun for final drying
- Water/paint separation kit **included**

SOLVENT ZONE

- Pre-wash with Venturi pump fed recirculating thinner
 - Venturi pump feeding clean thinner
 - Nebulizer for final rinse with clean thinner
- Color tests allowed
 - 100% Stainless steel
 - ATEX II 2G

TECHNICAL DATA

Dimensions
990 x 690 x 1490 mm

Weight
85 Kg

Steel tank capacity for water
50 L

Exhaust duct diameter
150 mm

Operation
pneumatic

Air pressure
Min 6 - max 10 Bar



OPTIONAL: KIT M (for thinner)

MOD. G40 M

COMBINED SPRAY-GUN WASHER, MANUAL WITH WATER, AUTOMATIC FOR SOLVENT



- Combi unit, automatic and manual wash of waterborne and solvent-based paint
- Automatic vapour exhaustion from work area

WATER ZONE

- Pre-wash with brush and pump fed recirculating liquid
- Nebulizer for final rinse with clean water
- Air gun for final drying
- Water/paint separation kit **included**

SOLVENT ZONE

- Automatic wash with diaphragm pump feeding recirculating thinner
 - Mechanical block of the lid of automatic washing during cleaning cycle
 - Venturi pump feeding clean thinner
 - Nebulizer for final rinse with clean thinner
 - Air pressure regulator for color testin
- Color tests allowed
 - 100% Stainless steel
 - ATEX II 2G

TECHNICAL DATA

Dimensions
1190 x 690 x 1490 mm

Weight
107 Kg

Steel tank capacity for water
50 L

Number of spray-guns per
washing cycle
N° 2

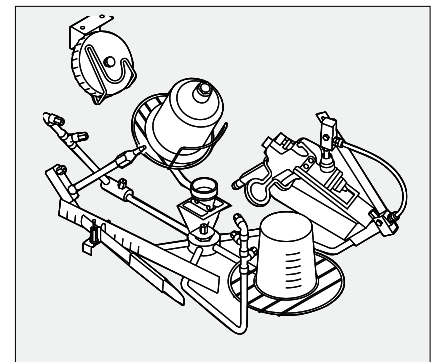
Exhaust duct diameter
150 mm

Operation
pneumatic

Air pressure
Min 6 - max 10 Bar

OPTIONAL: KIT M (for thinner)

OPTIONAL: KIT F (for thinner)



MOD. G60 F

COMBINED SPRAY-GUN WASHER AUTOMATIC WITH WATER AND SOLVENT

- Combi unit, automatic and manual wash of waterborne and solvent-based paint
- Automatic vapour exhaustion from work area

WATER ZONE

- Automatic wash with diaphragm pump feeding recirculating liquid
- Final rinse with clean water fed by Venturi pump and nebulizer
- Air gun for final drying
- Water/paint separation kit **included**

SOLVENT ZONE

- Automatic wash with diaphragm pump feeding recirculating liquid
 - Final wash with clean thinner fed by an extra diaphragm pump
 - Mechanical block of the lid of automatic washing during cleaning cycle
 - Wash with Venturi pump feeding recirculating thinner
 - Venturi pump feeding clean thinner
 - Final wash by nebulizer with clean thinner
 - Air pressure regulator for color testing
- Color tests allowed
 - 100% Stainless steel
 - ATEX II 2G



TECHNICAL DATA

Dimensions
1190 x 690 x 1490 mm

Weight
114 Kg

Steel tank capacity for water
50 L

Number of spray-guns per
washing cycle
N° 2

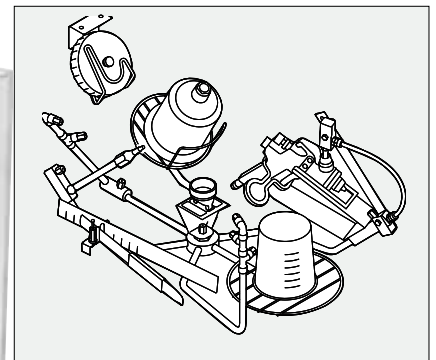
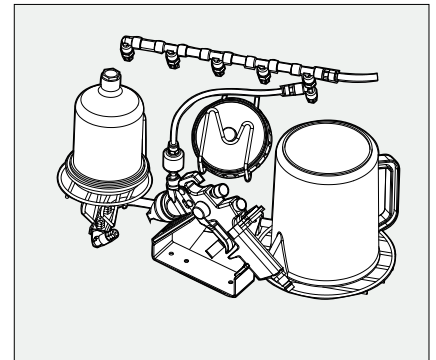
Exhaust duct diameter
150 mm

Operation
pneumatic

Air pressure
Min 6 - max 10 Bar



OPTIONAL: KIT M (for thinner)



MOD. P10

MANUAL SPRAY-GUN WASHER WITH SOLVENT



- Manual wash of solvent-based paint
- Automatic vapour exhaustion from work area
- Pre-wash with Venturi pump feeding recirculating thinner
- Venturi pump feeding clean thinner
- Final rinse with nebulizer and clean thinner
- Color tests allowed
- 100% Stainless steel
- ATEX II 2G

TECHNICAL DATA

Dimensions
490 x 690 x 1490 mm

Weight
42 Kg

Exhaust duct diameter
120 mm

Operation
pneumatic

Air pressure
Min 6 - max 10 Bar



OPTIONAL: KIT M

MOD. M10

MANUAL SPRAY-GUN WASHER WITH SOLVENT



- Manual wash of solvent-based paint
- Automatic vapour exhaustion from work area
- Pre-wash with Venturi pump feeding recirculating thinner
- Venturi pump feeding clean thinner
- Final rinse with nebulizer and clean thinner
- Air pressure regulator for color testing
- 100% Stainless steel
- ATEX II 2G

TECHNICAL DATA

Dimensions
690 x 690 x 1490 mm

Weight
54 Kg

Exhaust duct diameter
120 mm

Operation
pneumatic

Air pressure
Min 6 - max 10 Bar



OPTIONAL: KIT M

MOD. 173A - 173D

AUTOMATIC SPRAY-GUN WASHER WITH SOLVENT



- Automatic wash of solvent-based paint
- Automatic vapour exhaustion from work area
- Automatic wash with diaphragm pump feeding recirculating thinner
- **MOD. 173D only:** venturi pump feeding clean thinner
- Nebulizer for final rinse with clean thinner
- 100% Stainless steel
- ATEX II 2G

TECHNICAL DATA

Dimensions
450 x 660 x 1100 mm

Weight
38 Kg

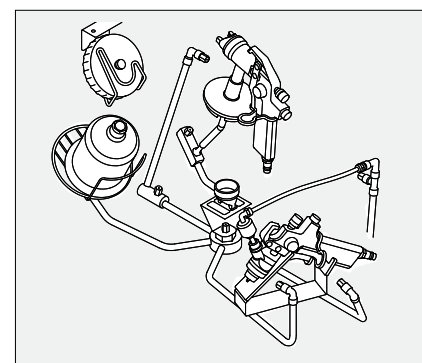
Number of spray-guns per
washing cycle
N° 2

Exhaust duct diameter
120 mm

Operation
pneumatic

Air pressure
Min 6 - max 10 Bar

OPTIONEEL: KIT F



MOD. M30 - M30 F

AUTOMATIC SPRAY-GUN WASHER WITH SOLVENT



- Automatic and manual wash of solvent-based paint
- Automatic vapour exhaustion from work area
- Automatic wash with diaphragm pump feeding recirculating liquid

• MOD. M30 F only:

- Final wash with an extra diaphragm pump feeding clean thinner operated by push-button
- Wash with Venturi pump feeding recirculating thinner

- Mechanical block of the lid of automatic washing during cleaning cycle
- Venturi pump feeding clean liquid
- Nebulizer for final rinse with clean thinner
- Air pressure regulator for color testing
- 100% stainless steel
- ATEX II 2G



TECHNICAL DATA

Dimensions
692 x 685 x 1490 mm

Weight
74 Kg

Number of spray-guns per
washing cycle
N° 2

Exhaust duct diameter
120 mm

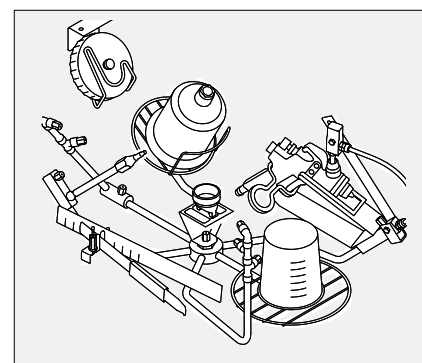
Operation
pneumatic

Air pressure
Min 6 - max 10 Bar

OPTIONEEL: KIT M



MOD. M30 F



MOD. 801A - 801B

“DECA” DISTILLER



- Explosion-proof distiller for thinner
- Distills up to 15 lt thinner
- All sludge collected in disposal bags
- Digital display of time and temperature
- Combined with spray-gun washer (option) for automatic transfer of clean and dirty thinner
- Mod. 801B: ready to be combined
- Atex II 2G

TECHNICAL DATA

Dimensions
510 x 690 x 1650 mm

Weight
79 Kg

Distiller capacity
15 L

Operation
Electric power 1 kW - 230 V

Max working temperature
200°C

Cycle time
3-4 hours



MOD. 250A - 250B

PAINTING WORKBENCH



- Workbench
- 100% Stainless steel
- Ideal for placing, mixing, stirring and diluting waterborne and solvent-based paint

- **MOD.250 B only:**

- Two venturi pumps ejecting the thinner or the liquid to be diluted
- Vapour exhaustion from work area

- ATEX II 2G

TECHNICAL DATA

Dimensions

1090 x 690 x 1465 mm

Weight

62 Kg

Exhaust duct diameter

mm 150

Operation

pneumatic

Air pressure

Min 6 - max 10 Bar



MOD. 250B



MOD. 250A

MOD. 255

PAINTING WORKBENCH



- Workbench
- 100% stainless steel
- Ideal for placing, mixing, stirring and diluting waterborne and solvent-based paint
- Vapour exhaustion from work area
- Two shelves adjustable in height
- Possibility to work in one or both sides of the table

Article to be assembled

Pipes for exhaustion not provided

TECHNICAL DATA

Dimensions
1800 x 645 x 1210 mm

Weight
60 Kg

Operation
pneumatic

Air pressure
8 Bar

Exhaust duct diameter
2 x 150 mm



MOD. 970

MINI THERMOCOLOR



- Heated cabinet for storing paints and other products
- Lowest shelf heated + 2 adjustable shelved
- Insulated heated room
- Can be used for: paints, catalysts, lacquers, metal stoppers, primers, insulators, glues, dopes, car frame protection oil, spray guns
- ATEX II 3GD

TECHNICAL DATA

Dimensions
720 x 500 x 940 mm

Weight
36 Kg

Operation
Electric power 230 V - 50 Hz

Power
55 W

Plane average
temperature
45°C

Heating volume room
660 x 445 x 830 m



MOD. 206

PRESS FOR CRUSHING CANS 30L



- All-pneumatic press
- Compacts drums up to 30 litres
- ATEX II 3G

TECHNICAL DATA

Dimensions
500 x 450 x 1780 mm

Weight
95 Kg

Crushing chamber
dimension
370 x 350 x 580 mm

Operation
pneumatic

Piston thrust
8 bar - 1600 kg



MOD. 201

PRESS "JOLLY"



II 3GD

- All-pneumatic press
- Compacts paper, cardboard, nylons and tins up to Ø 30 cm
- Great waste volume reduction
- ATEX II 3GD

TECHNICAL DATA

Dimensions
840 x 500 x 1660 mm

Weight
200 Kg

Dimension of loading door
720 x 310 mm

Crushing chamber
dimension
700 x 450 x 770 mm

Piston thrust
8 bar - 980 kg

Packing weight
30 ÷ 35 Kg



MOD. 174B

CANS-WASHER



- Ideal for washing with thinner, solvent or water- base
- For tins and cans up to 30L
- Automatic wash with fixed nozzels by a membrane pump
- Automatic vapour exhaustion
- ATEX II 2G

TECHNICAL DATA

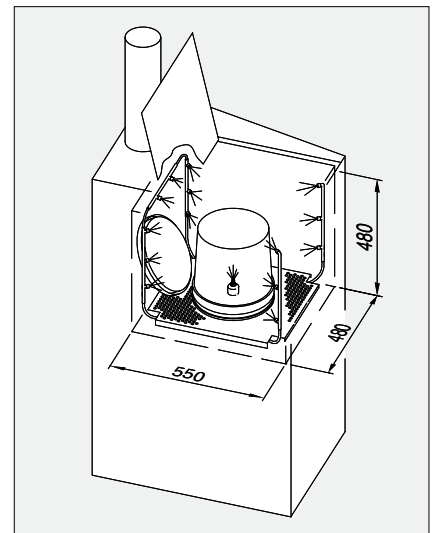
Dimensions
530 x 710 x 1320 mm

Weight
60 Kg

Exhaust duct diameter
120 mm

Operation
pneumatic

Air pressure
min 6 max 10 bar



MOD. 110

WATER-PAINT SEPARATION KIT

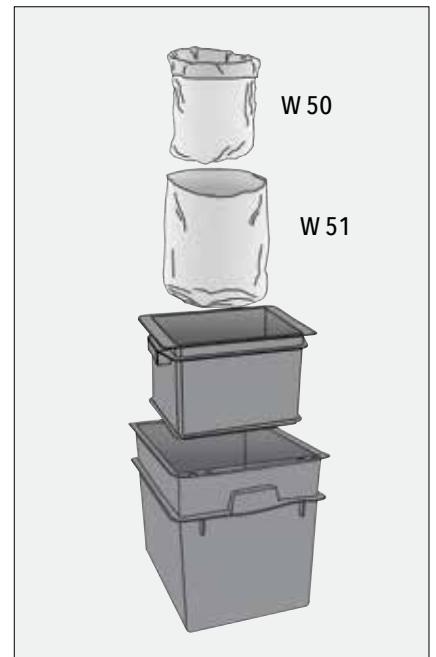
- Ideal for paint / water separation
- Includes a plastic container and a perforated container supporting filters
- Air mixer to stir water with coagulating powder

TECHNICAL DATA

Dimensions
600 x 400 x 500 mm

Weight
4,5 Kg

Tank capacity
50 L



MOD. 189

ACTIVE CARBON FILTER

- Great pollution removal from exhausted vapours
- Can be adapted to all spray-gun washers
- Active carbons can be replaced when exhausted



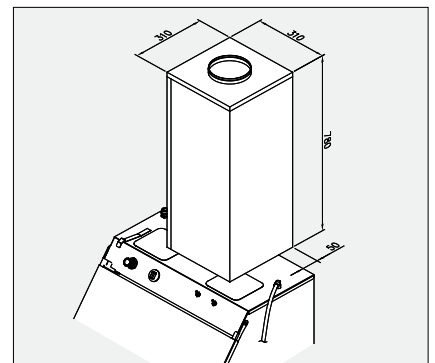
TECHNICAL DATA

Dimensions
310 x 310 x 780 mm

Weight
28 Kg

Carbon quantity
12 Kg

Abatement percentage
> 50%



RE-5 / RE-10

REMOVER

- Concentrated water-dilutable detergent
- New formulation with very few foam
- Used cold: it improves spray-gun washing also with dry paint.
- Used hot: it halves washing time and allows a thorough cleaning with dry paint too
- Keeps pump, hoses and washing nozzles clean
- Prevents dirt from forming inside spray-gun washer body
- Product is re-usable after coagulation
- 5-15% dilution in water



FLOCK

COAGULATING POWDER

- Coagulating powder for water / paint separation
- 1,5 Kg





WASHING SOLUTIONS



Via Lungochiampo, 53
36054 Montebello Vicentino - (VI) Italy
Tel. +39 0444 648966 - Fax +39 0444 648960
E-mail rosauto@rosauto.it
www.rosauto.it

